



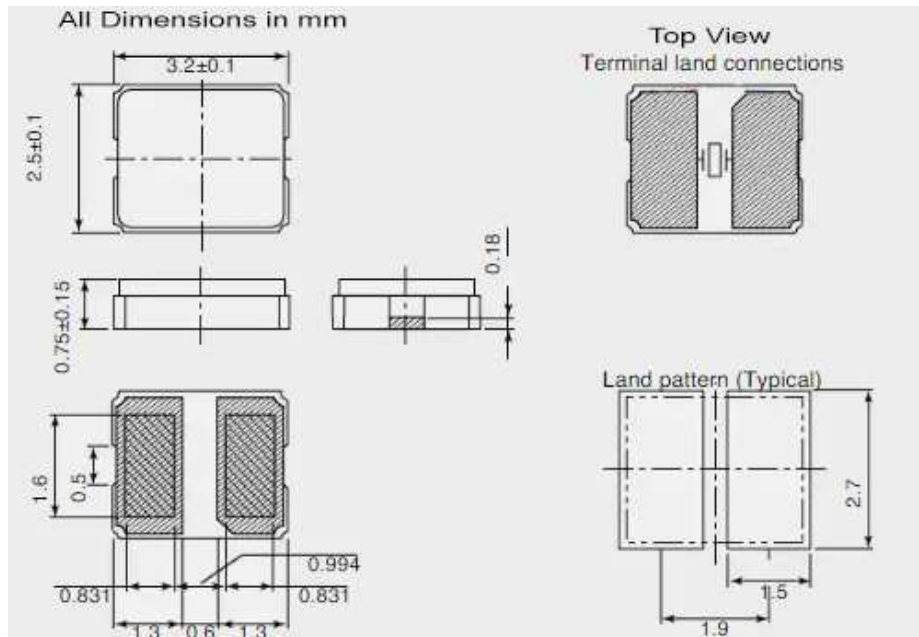
QCA225 Series

SMD Crystal, 2 Pads, 3.2x2.5x0.75mm
Conforms to AEC-Q200

STANDARD SPECIFICATIONS		
Frequency Range	12MHz to 50MHz	
Frequency Tolerance (25°C)	± 50 ppm Standard (see Crystal Part Number Guide for more details)	
Load Capacitance (CL)	8pF (see Crystal Part Number Guide for more details)	
Frequency Stability over Operating Temperature	± 150 ppm Standard	
Operating Temperature Range	-40°C ~+150°C	
Storage Temperature Range	-40°C ~+150°C	
EQUIVALENT SERIES RESISTANCE (E.S.R.)		
Mode of OSC.	Frequency (MHz)	ESR Max. (Ω)
Fundamental	12.0 ~ 19.9	120
	20.0 ~ 50.0	100

Ordering Instructions (see Crystal Part Number Guide for more details)						
Example: QVS Part # = QCA225-2AJF18-20.000						
	±50ppm(@ 25°)	±150ppm(Over Temp)	-40°C~+150°C	Fundamental	Load Cap.	Freq.
OCA225-	2	A	J	F	8pF	-20.000MHz

* See Engineering-Technical Info for Solder Re-flow and Tape and Reel Specs.



QVS TECH INC

6965 El Camino Real, Ste 105 Carlsbad, CA 92009 Phone: 760-929-8677 Fax: 760-929-8077
email: sales@qvstech.com

Specifications subject to change without notice (Rev A)